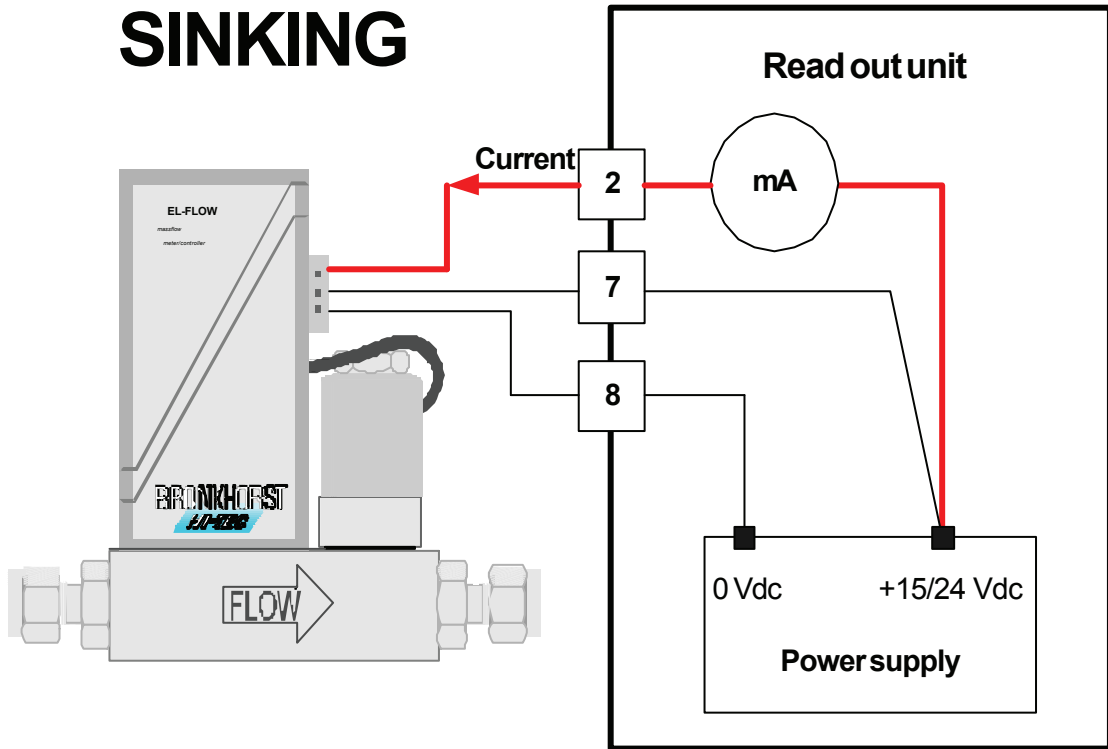
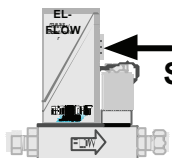
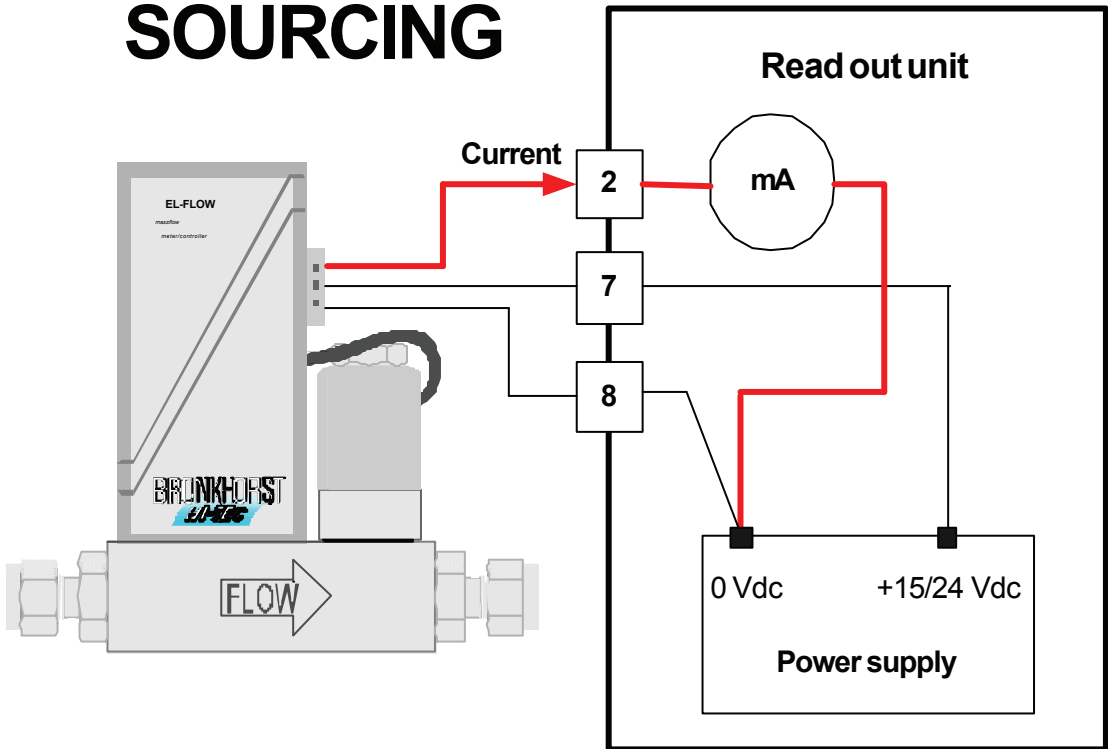


 <b>Bronkhorst</b> HIGH-TECH EDUCATIONAL MATERIAL	Subject:	By: J. Harmsen	
	<b>Sinking versus Sourcing</b>	First issue: 13-02-2004	
Revision date:			
<table border="1"> <tr> <td>Nr.: EM-M4-010</td> <td>Pag.: 1-1</td> <td>Rev.: 1</td> </tr> </table>		Nr.: EM-M4-010	Pag.: 1-1
Nr.: EM-M4-010	Pag.: 1-1	Rev.: 1	

# SINKING

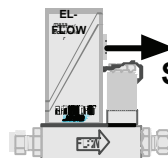


# SOURCING



**SINKING (IN)**  
(Passive)

**Mnemonic for  
current direction**



**SOURCING (OUT)**  
(Active)